

# KZT TYPE

CONTAMI SEALS  
RAREFLON (PTFE)



● Please designate NOK Part number and type & size on your order.

(Example) • Type Dimensions

KZT                      14 20 5

└─ Type Sign

└─ Nominal Size of Contami Seal  
described in order of  
inner diameter(d), outer diameter(D), and height(h)

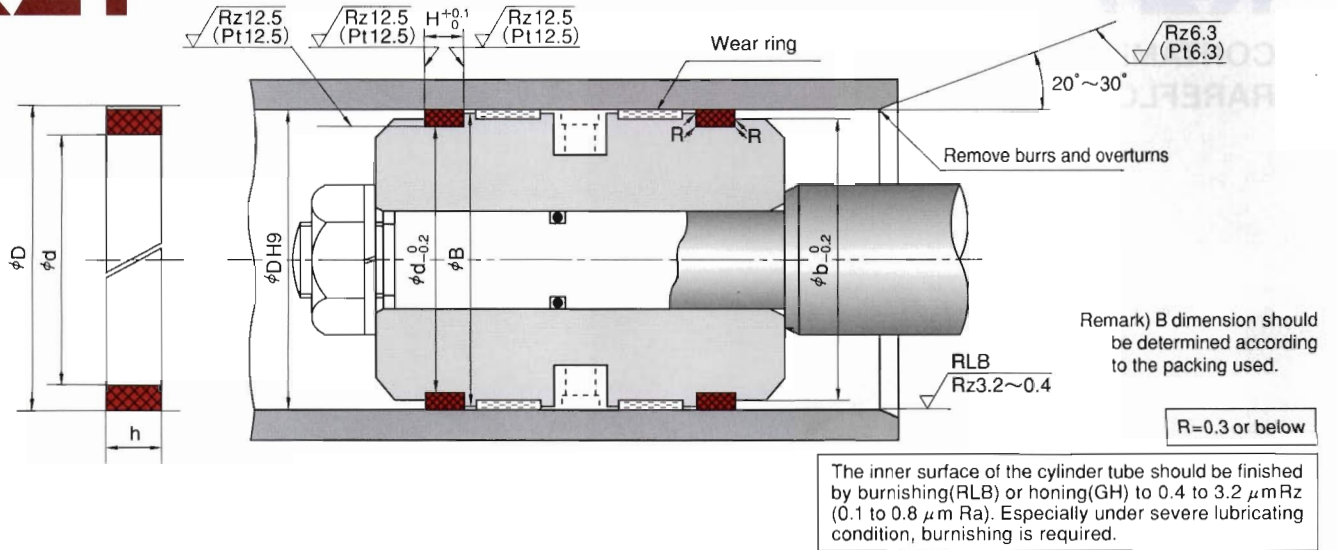
• Part Number

GZ3000V0

● Please check the application range on pages 16 before selecting the type.

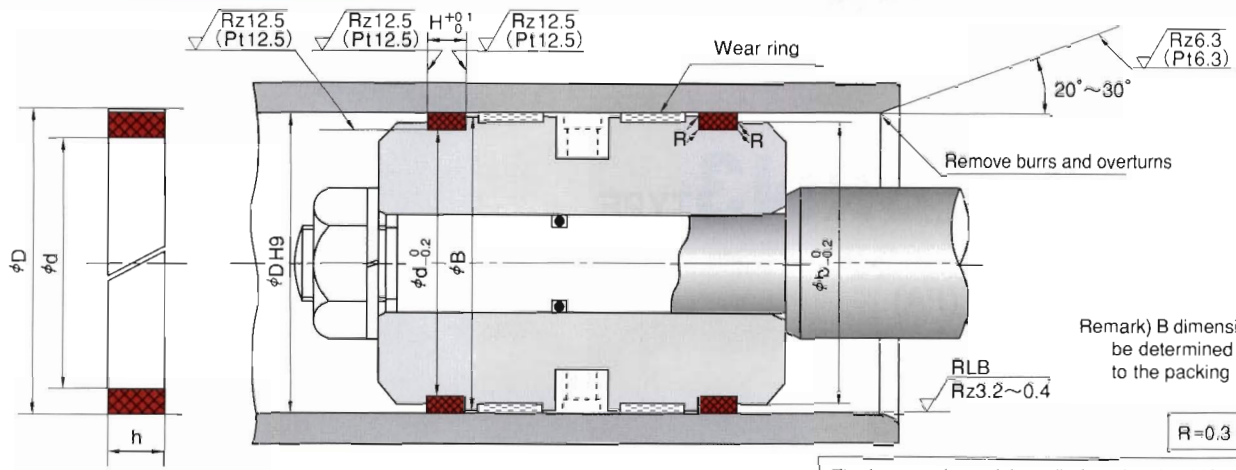
<b>Material</b>	NOK 05ZF			
-----------------	----------	--	--	--

# KZT TYPE CONTAMI SEALS



Nominal Number	Nominal Size of Contami Seal, and Housing dimensions					NOK Part Number
	d	D	h	H	φb	
KZT 20	14	20	5	5.2	18	GZ3000V0
25	19	25			23	GZ3001V0
30	24	30			28	GZ3002V0
31.5	25.5	31.5			29.5	GZ3003V0
32	26	32			30	GZ3004V0
35	29	35			33	GZ3005V0
35.5	29.5	35.5			33.5	GZ3006V0
40	34	40			38	GZ3007V0
45	39	45			43	GZ3008V0
50	44	50			48	GZ3009V0
53	47	53			51	GZ3010V0
55	49	55			53	GZ3011V0
56	50	56			54	GZ3012V0
60	54	60			58	GZ3013V0
63	55	63			61	GZ3014V0
65	57	65	63	GZ3015V0		
70	62	70	68	GZ3016V0		
71	63	71	69	GZ3017V0		
75	67	75	73	GZ3018V0		
80	72	80	78	GZ3019V0		
85	77	85	83	GZ3020V0		
90	82	90	88	GZ3021V0		
95	87	95	93	GZ3022V0		
100	92	100	98	GZ3023V0		
105	97	105	103	GZ3024V0		
110	102	110	108	GZ3025V0		
112	104	112	110	GZ3026V0		
115	107	115	113	GZ3027V0		
120	112	120	118	GZ3028V0		
125	117	125	123	GZ3029V0		
130	122	130	128	GZ3030V0		
135	127	135	133	GZ3031V0		
140	132	140	138	GZ3032V0		
150	142	150	148	GZ3033V0		
160	152	160	158	GZ3034V0		

F DIMENSION KZT



The inner surface of the cylinder tube should be finished by burnishing (RLB) or honing (GH) to  $0.4$  to  $3.2 \mu m Rz$  ( $0.1$  to  $0.8 \mu m Ra$ ). Especially under severe lubricating condition, burnishing is required.

●The roughness is JIS B 0601 : 2001.  
When regulation length cannot be kept, apply Pt.

Nominal Number	Nominal Size of Contami Seal, and Housing dimensions					NOK Part Number
	d	D	h	H	$\phi b$	
KZT 170	162	170	8	8.2	108	GZ3035V0
180	172	180			178	GZ3036V0
190	182	190			188	GZ3037V0
200	192	200			198	GZ3038V0
210	202	210			208	GZ3039V0
220	212	220			218	GZ3040V0
224	216	224			222	GZ3041V0
230	222	230			228	GZ3042V0
240	232	240			238	GZ3043V0
250	242	250			248	GZ3044V0
260	252	260			258	GZ3045V0
270	262	270			268	GZ3046V0
280	272	280			278	GZ3047V0
290	282	290			288	GZ3048V0
300	292	300			298	GZ3049V0
310	302	310			308	GZ3050V0
320	312	320			318	GZ3051V0
340	332	340			338	GZ3052V0
350	342	350			348	GZ3053V0
360	352	360			358	GZ3054V0